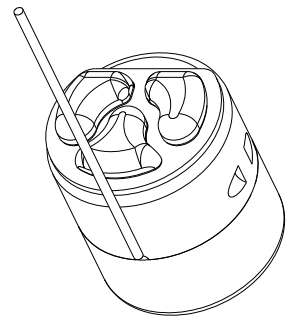
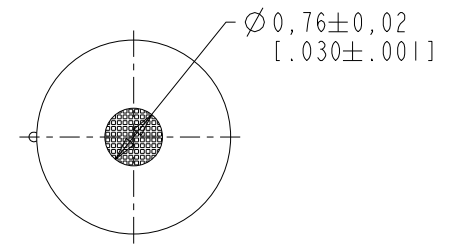
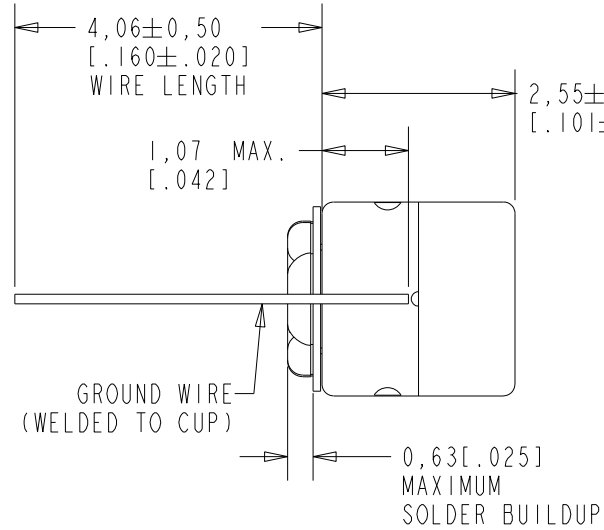
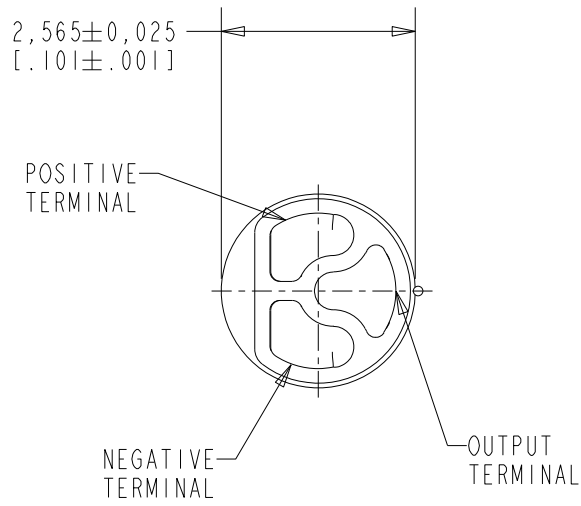


FG45-32335-P03  
SHT 1.1

NOTES:

- INCREASED PRESSURE AT THE SOUND INLET CAUSES A POSITIVE GOING VOLTAGE TO APPEAR AT THE OUTPUT TERMINAL, RELATIVE TO THE NEGATIVE TERMINAL.



DIMENSIONS IN MILLIMETERS [INCHES]

Revision	C.O. #	Implementation Date	RELEASE LEVEL	REVISION
B	M10106474	12-28-15	Active	B
A	C40101457	3-24-15		

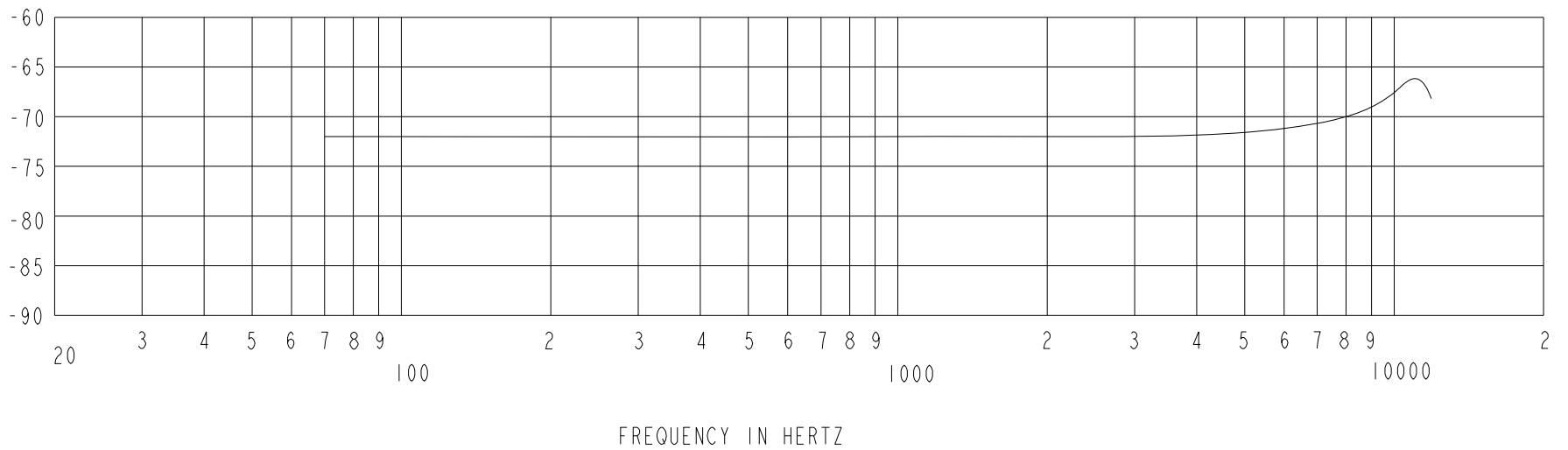
SCALE: 10:1		DR. BY: LW	DATE: 3-24-15
DO NOT SCALE DRAWING			
TITLE: MICROPHONE		FG45-32335-P03	
OUTLINE DRAWING		SHT 1.1	
		APP. BY: GJP	DATE: 3-26-15
		APP. BY: GJP	DATE: 3-26-15

**KNOWLES CORPORATION**

RoHS COMPLIANT

SENSITIVITY IN dB RELATIVE TO 1.0 VOLT/0.1 Pa (N/M<sup>2</sup>)  
FOR CONDITIONS SHOWN BELOW

TYPICAL SENSITIVITY

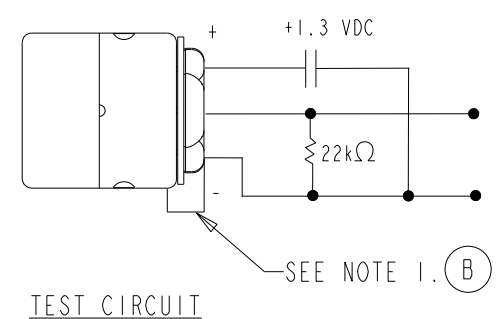
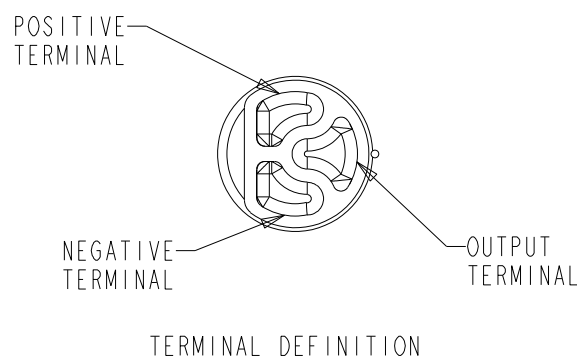
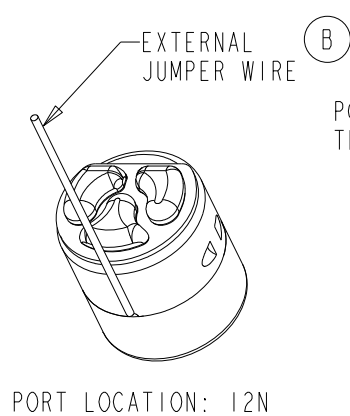


SENSITIVITY MEASURED IN A PRESSURE CAVITY UNDER THE NOMINAL CONDITIONS SHOWN BELOW

POWER REQUIREMENT					
PARAMETER	UNIT	MINIMUM	NOMINAL	MAXIMUM	REMARKS
DC POWER SUPPLY	VDC	0.9	1.3	10.0	-

PERFORMANCE							
PARAMETERS		UNIT	MINIMUM	NOMINAL	MAXIMUM	REMARKS	
SENSITIVITY	80 Hz	dB	-2.0	0	+2.0	re SENSITIVITY AT 1 kHz	
	1000 Hz	dB	-75.0	-72.0	-69.0	dB re 1V/0.1Pa	
	10000 Hz	dB	1.5	4.5	7.5	re SENSITIVITY AT 1 kHz	
SENSITIVITY CHANGE ON REDUCING SUPPLY TO 0.9 VDC		1000 Hz	dB	-3.0	0.0	3.0	REDUCED FROM 1.3 VDC TO 0.9 VDC
AMPLIFIER CURRENT DRAIN		µA	-	17	40	-	
OUTPUT LOAD VOLTAGE		V <sub>L</sub>	0.20	0.40	0.90	WITH TEST CIRCUIT	
A-WEIGHTED NOISE		dB(V)	-108	-101.5	95	REF. 1 Vrms	
OUTPUT IMPEDANCE		Ohms	2750	4400	6750		

- NOTES: 1. CASE CONNECTED TO NEGATIVE TERMINAL USING EXTERNAL JUMPER WIRE. (B)
2. SENSITIVITY AND NOISE VALUES INDICATED ON THIS SPECIFICATION ARE VALID AT 1.3 VDC AND 22KOHM LOAD IMPEDANCE TYPICAL TEST ENVIRONMENT: 50% RH, 21°C (70°F)
3. MICROPHONE TO BE FUNCTIONAL WITH 10V DC SUPPLY



Revision	C.O. #	Implementation Date	RELEASE LEVEL	REVISION
B	M10106474	12-28-15	Active	B
A	C40101457	3-24-15		

**KNOWLES CORPORATION**

WHEN TEST LIMITS ARE USED TO ESTABLISH INCOMING INSPECTION ACCEPTANCE/REJECTION CRITERIA, CORRELATION OF TEST EQUIPMENT WITH KNOWLES IS ALSO REQUIRED FOR ELIMINATION OF EQUIPMENT AND TEST METHOD VARIATION

TITLE: MICROPHONE  
PERFORMANCE SPECIFICATION

FG45-32335-P03  
SHT 2.1

DR. BY	DATE
LW	3-24-15
CK. BY	DATE
GJP	3-26-15
APP. BY	DATE
GJP	3-26-15